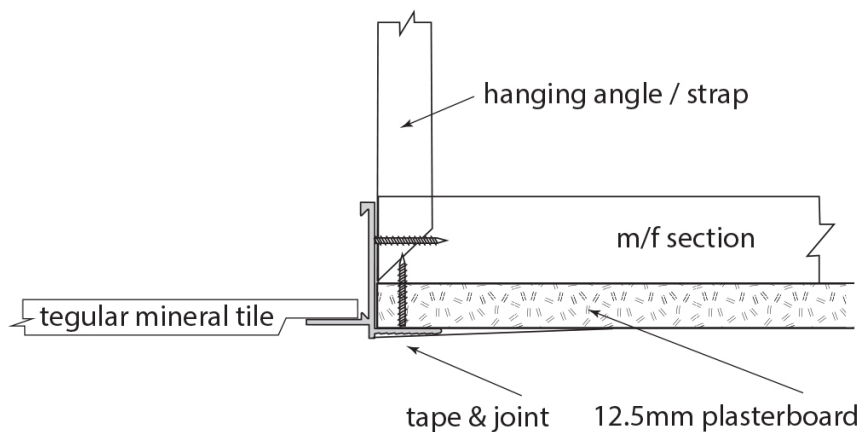
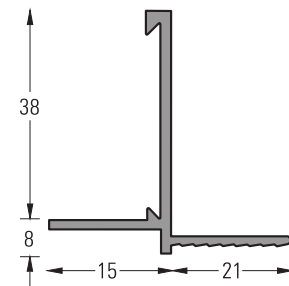


SUSPENDED CEILING TRIMS

EXTRUDED ARCHITECTURAL ALUMINIUM



YAS8



Application

Type YAS8 trims are used to create junction details between tegular mineral fibre suspended ceiling systems and adjacent areas of plasterboard. Curved trims manufactured from composite sections to reproduce type YAS trims are available.

Product Information

Supplied in 3000mm lengths, extruded from architectural grade aluminium alloy to BS 1474. Pre-punched with diagonal fixing slots and holes in the plastering fin suitable for fixing by drywall screws. The standard finishes are either white polyester powder coating to RAL 9010, 20% Gloss, or chromate etch primer suitable for direct over-painting on site after fixing. Non-standard lengths, factory curving and alternative factory applied finishes are available to special order. Wedgelok cleats for straight joints, internal or external corners and abutment details are available – see separate data sheet.

Packing

Packed in quantities as ordered with no bundle exceeding 25kgs. Packaging is by heavy gauge heat shrink polythene with corrugated cardboard end protection.

Technical Details

Designed specifically for use as part of a conventional dry wall, partition or ceiling system with either single or multiple layers of plasterboard. Framework can be of metal stud, timber or other suitable medium provided that the structural requirements are met. Vertical studs should never be greater than 600mm apart. Trims are designed to create aesthetic appeal within dry lining systems and are not intended to improve structural performance. Construction depends upon the type of trim being used and typical application examples are shown on the data sheets. Trims should always be supported by structural members, with additional framing provided where necessary. Double layers of plasterboard will result in greater rigidity. Trims should always be backed by a layer of plasterboard and never fixed directly in contact with the structural framing. The use of additional layers of plasterboard may be necessary to achieve certain designs.

www.tradelinedrywall.com

Registered office: Lodge Way House, Lodge Way, Harlestone Road, Northampton. NN5 7UG
 Registered in England No: 01632482
 VAT registration number: 408556737

